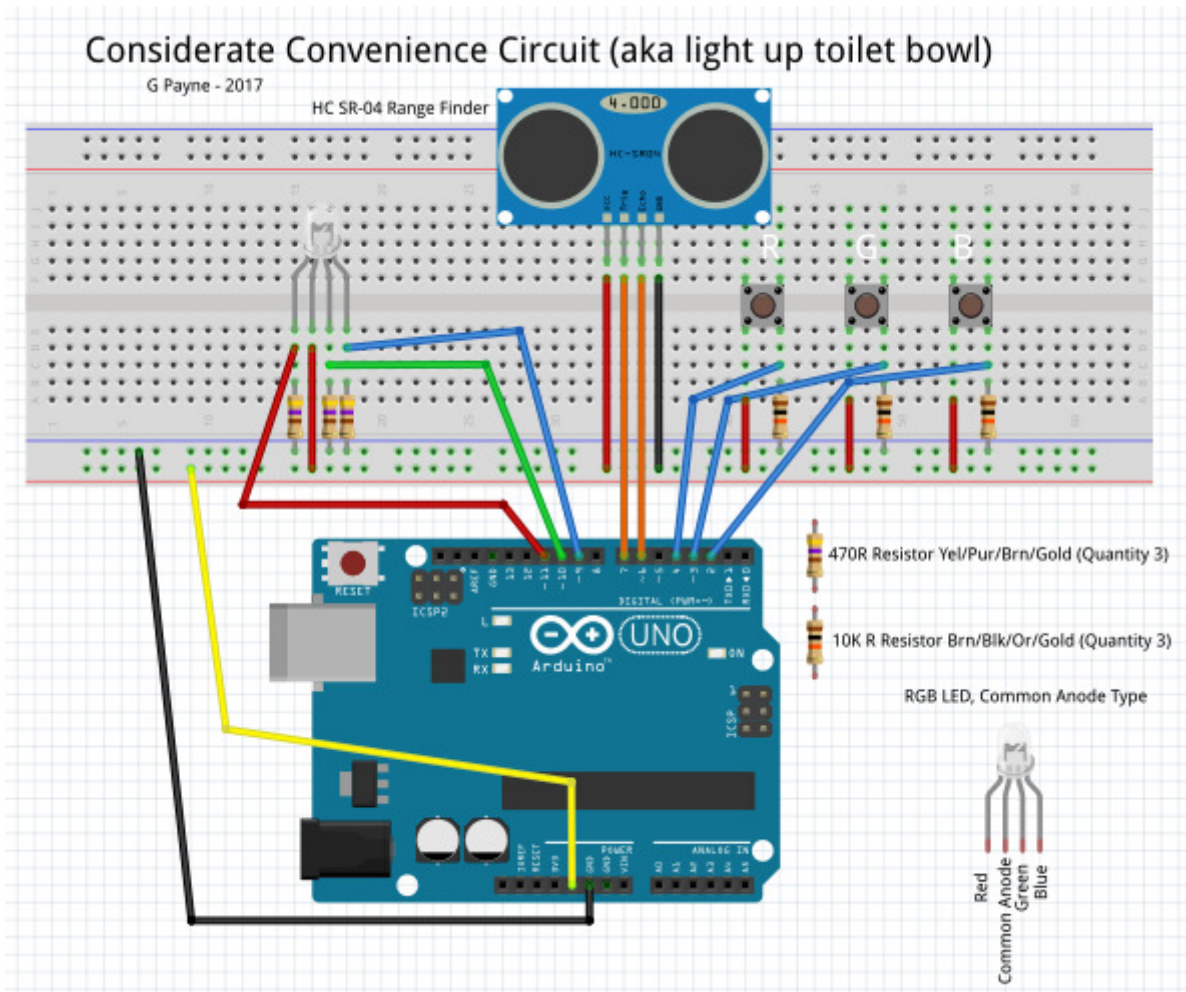


## The Considerate Convenience



It's 3am. Ya gotta go! But you don't want to turn on the bathroom light because it'll wake you up.

This circuit watches for you getting within a pre-determined distance from the SR-04 rangefinder and then turns on an LED to show you 'where to aim' (oh..sorry, where to SIT!). More importantly, it tells you **IF SOME SLOB LEFT THE SEAT UP! DORK!**

It uses a common-anode 3-colour LED and has 3 pushbuttons so you can adjust the hue and brightness of the 'glowing bowl', to your personal preference.

Since the LED is a common-anode type, 255 is OFF and 0 is FULL ON for the brightness of each LED colour.

Check out the Button Press, SR-04 and COLOUR LED activities on this page for help on how to build the sketch.

Have fun!

Thanks to Sparkfun.com for the inspiration!